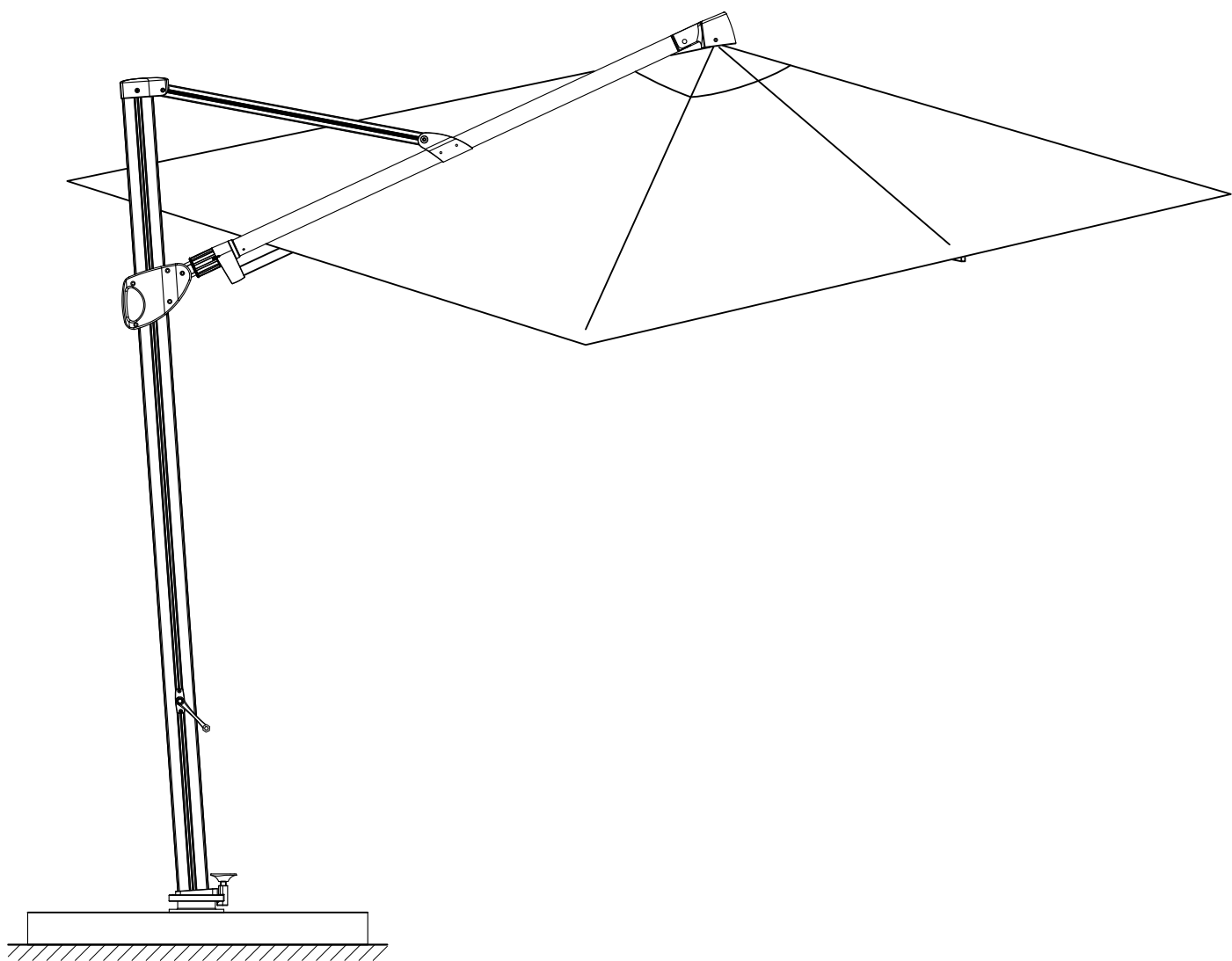


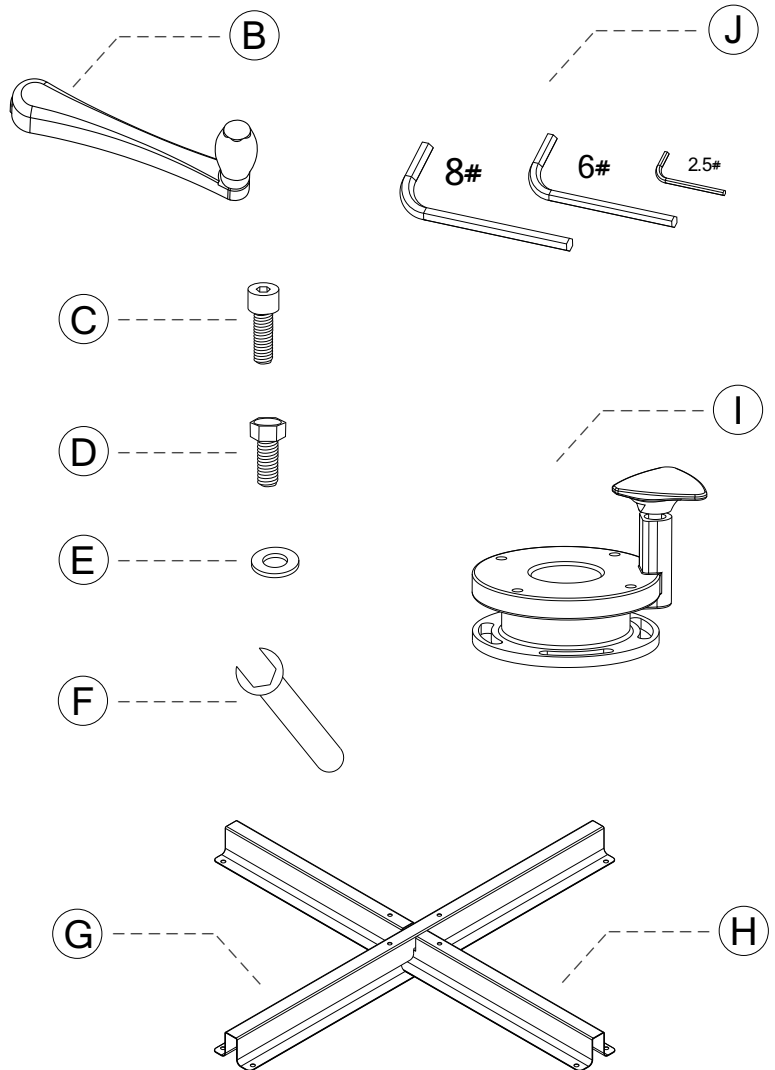
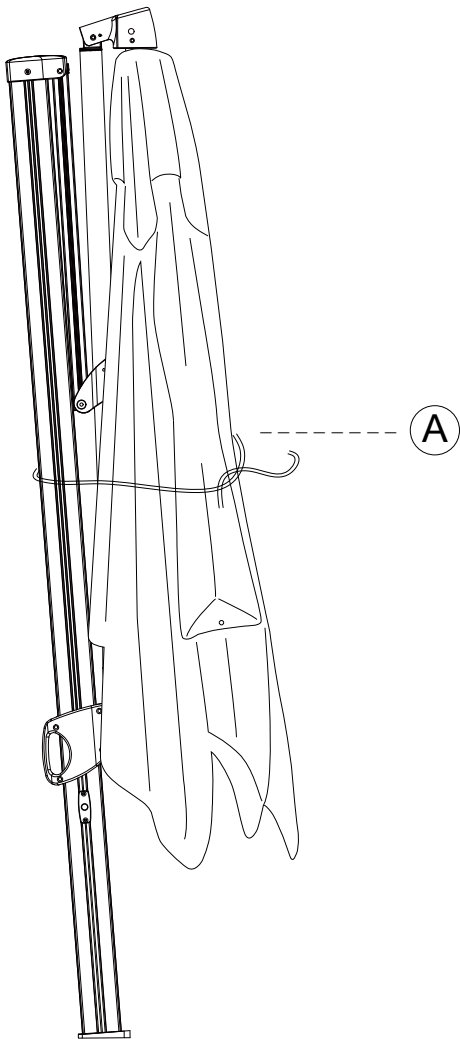
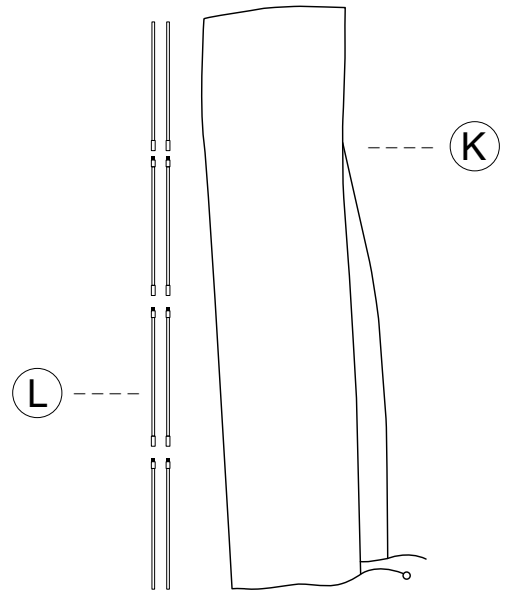
STELLAR ARIES



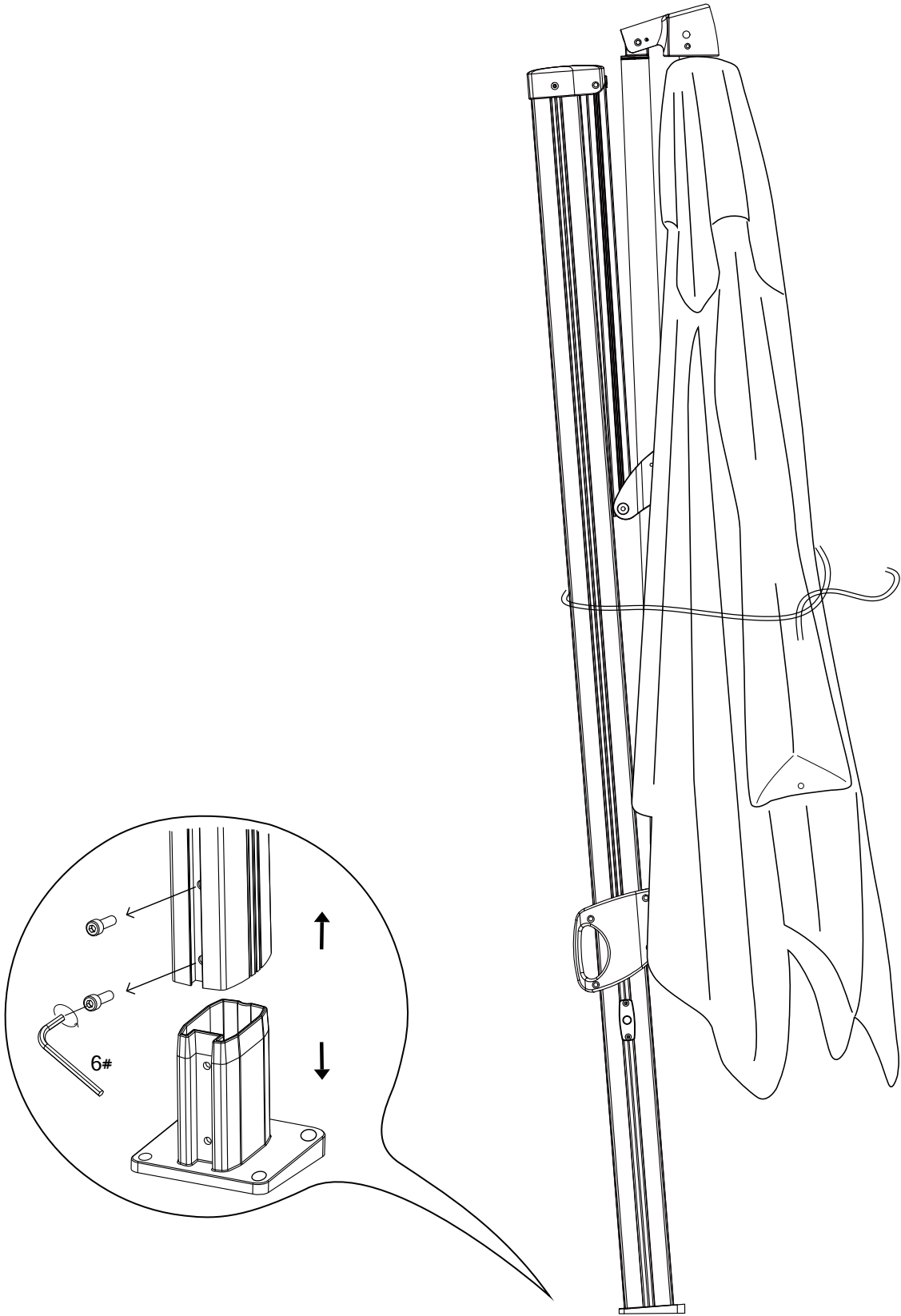
The Instruction Manual For Aries Parasol

ITEM DESCRIPTION QUANTITY

A	Frame	1
B	Crank handle	1
C	Screw1	4
D	Screw2	4
E	Washer	4
F	Outer hex wrench	1
G	Cross base A	1
H	Cross base B	1
I	Rotating device	1
J	Allen wrench(2.5#/6#/8#)	3
K	Protective cover	1
L	Fibreglass pole	8

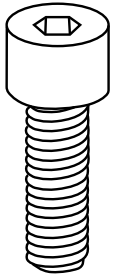


1



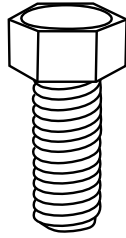
2

M10*25



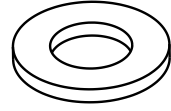
4x

M10*25

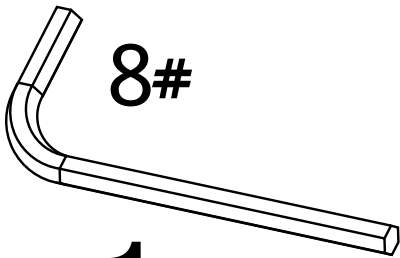


4x

$\phi 20 * \phi 10.5 * 2$

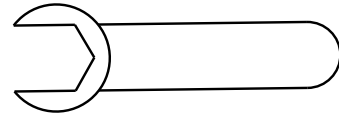


4x

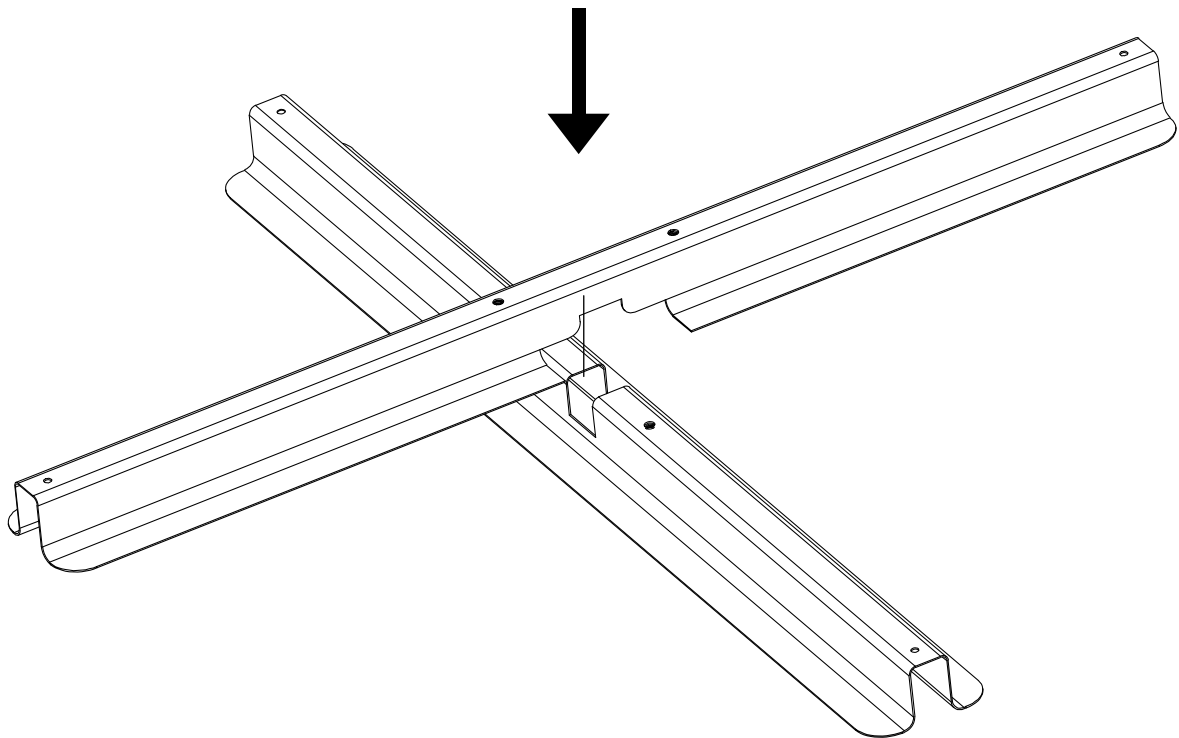


8#

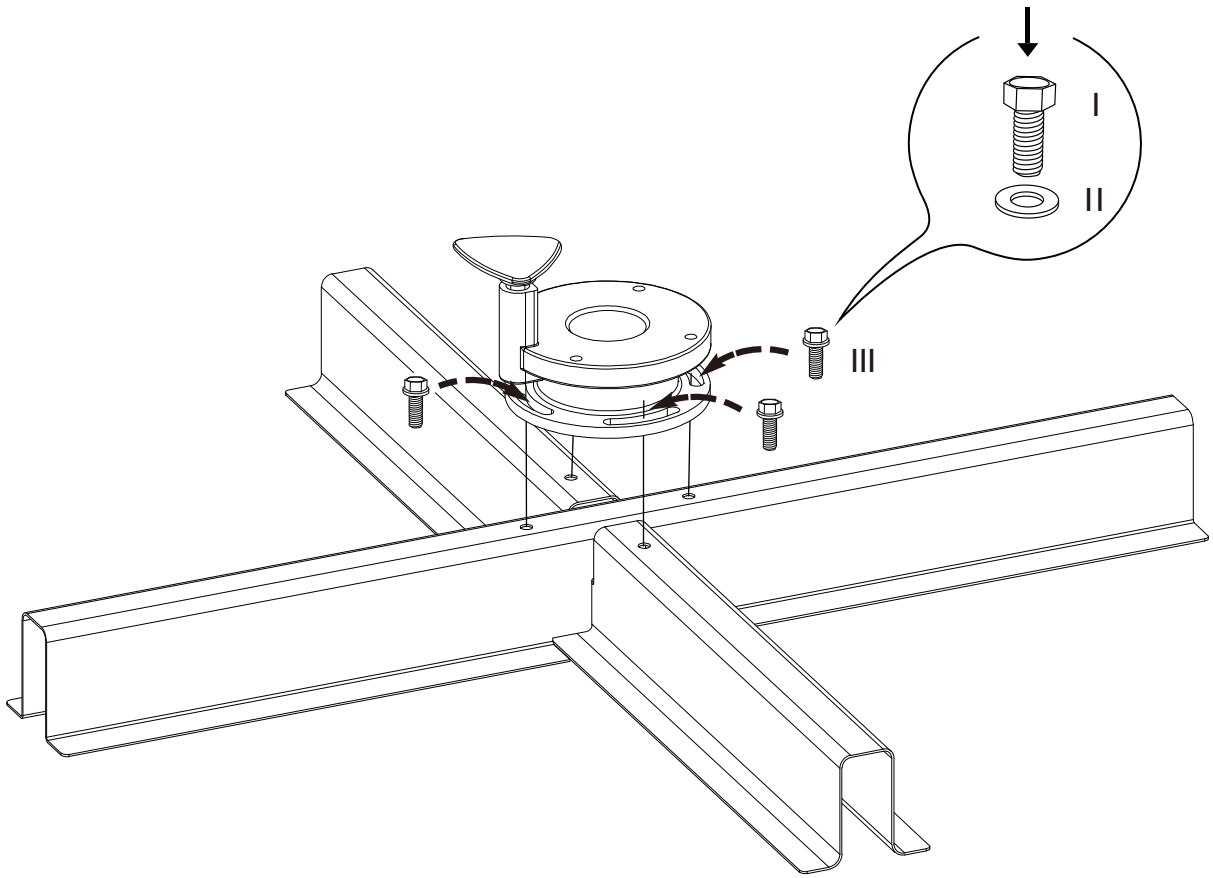
1x



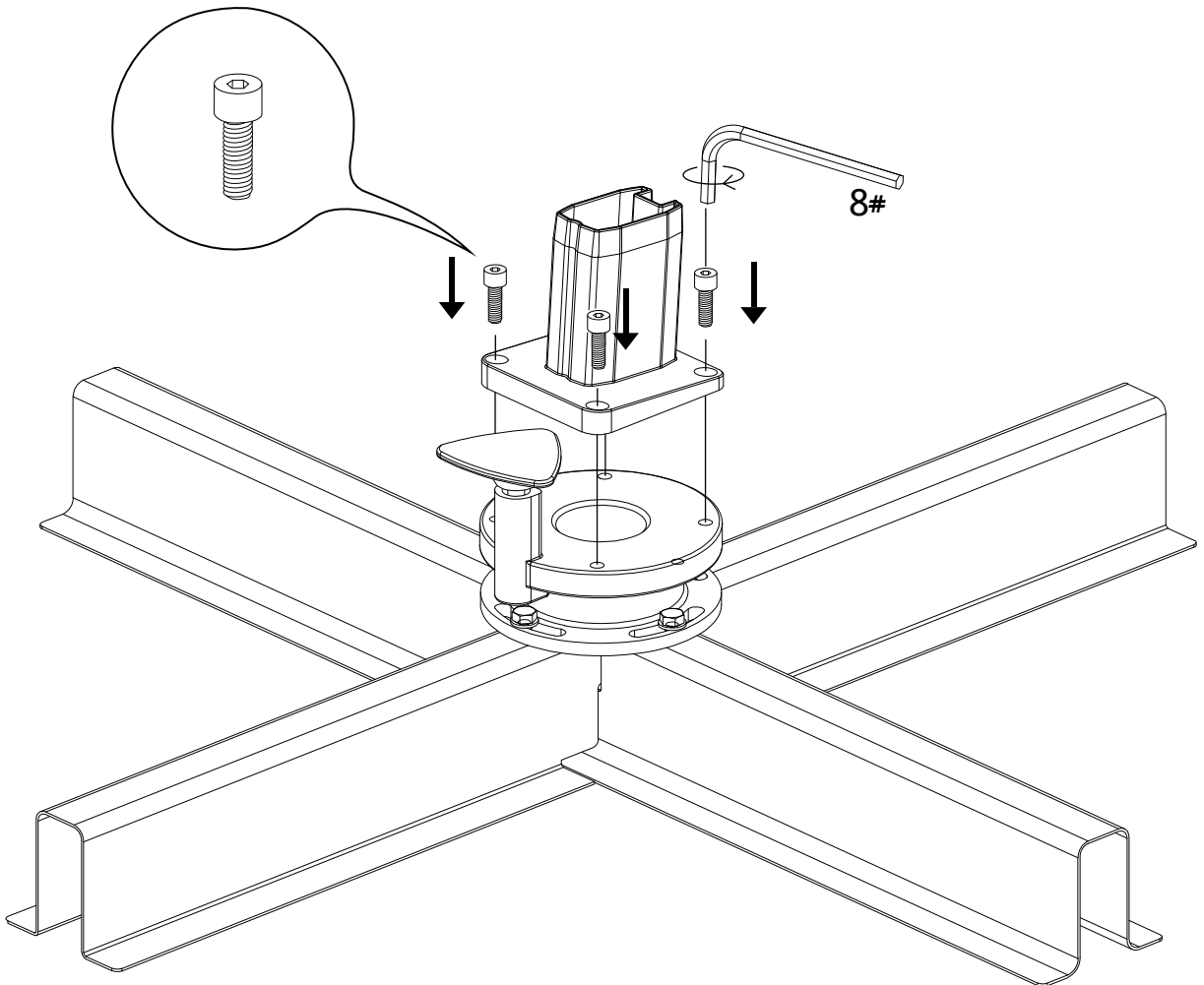
1x



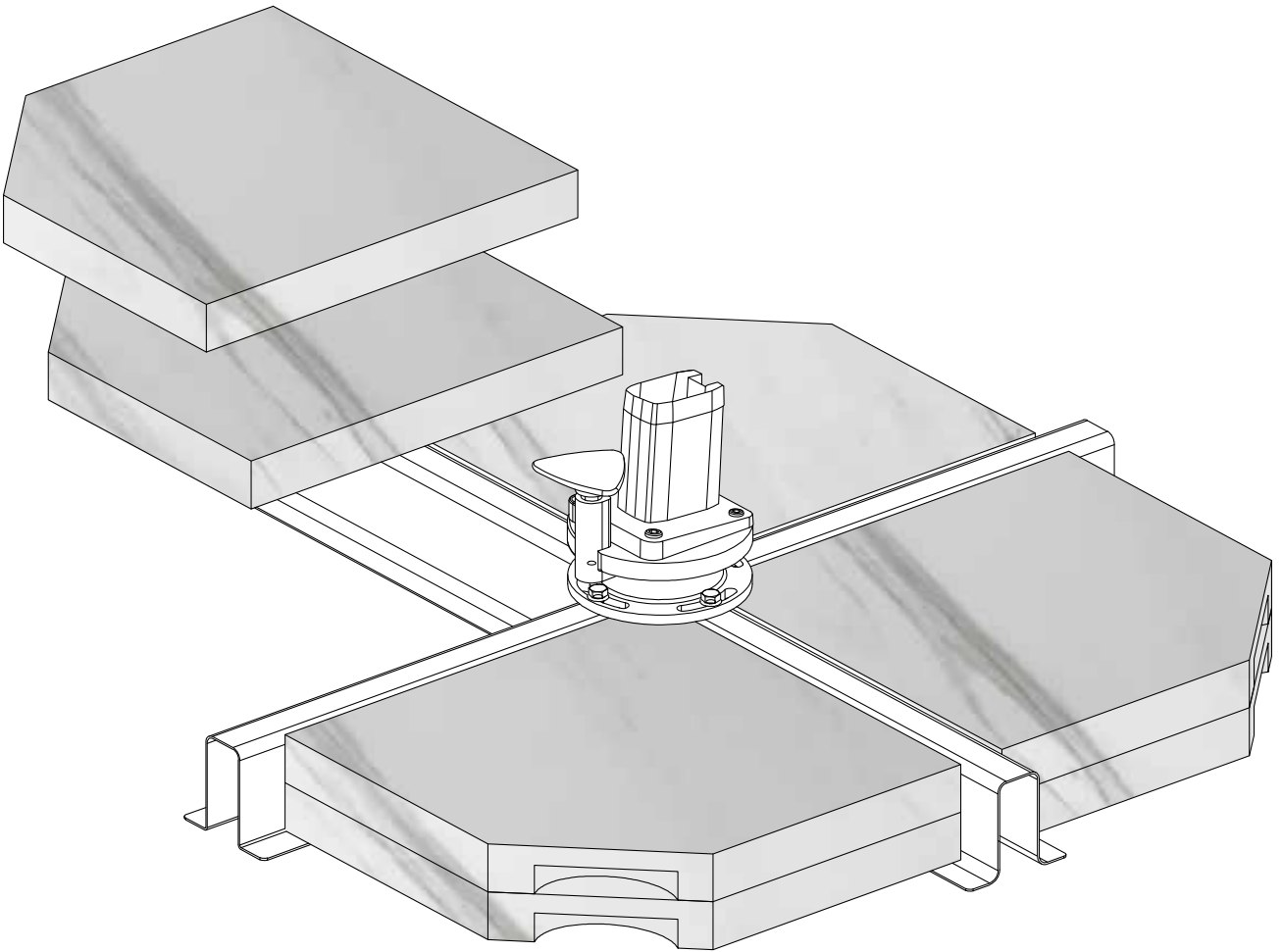
3



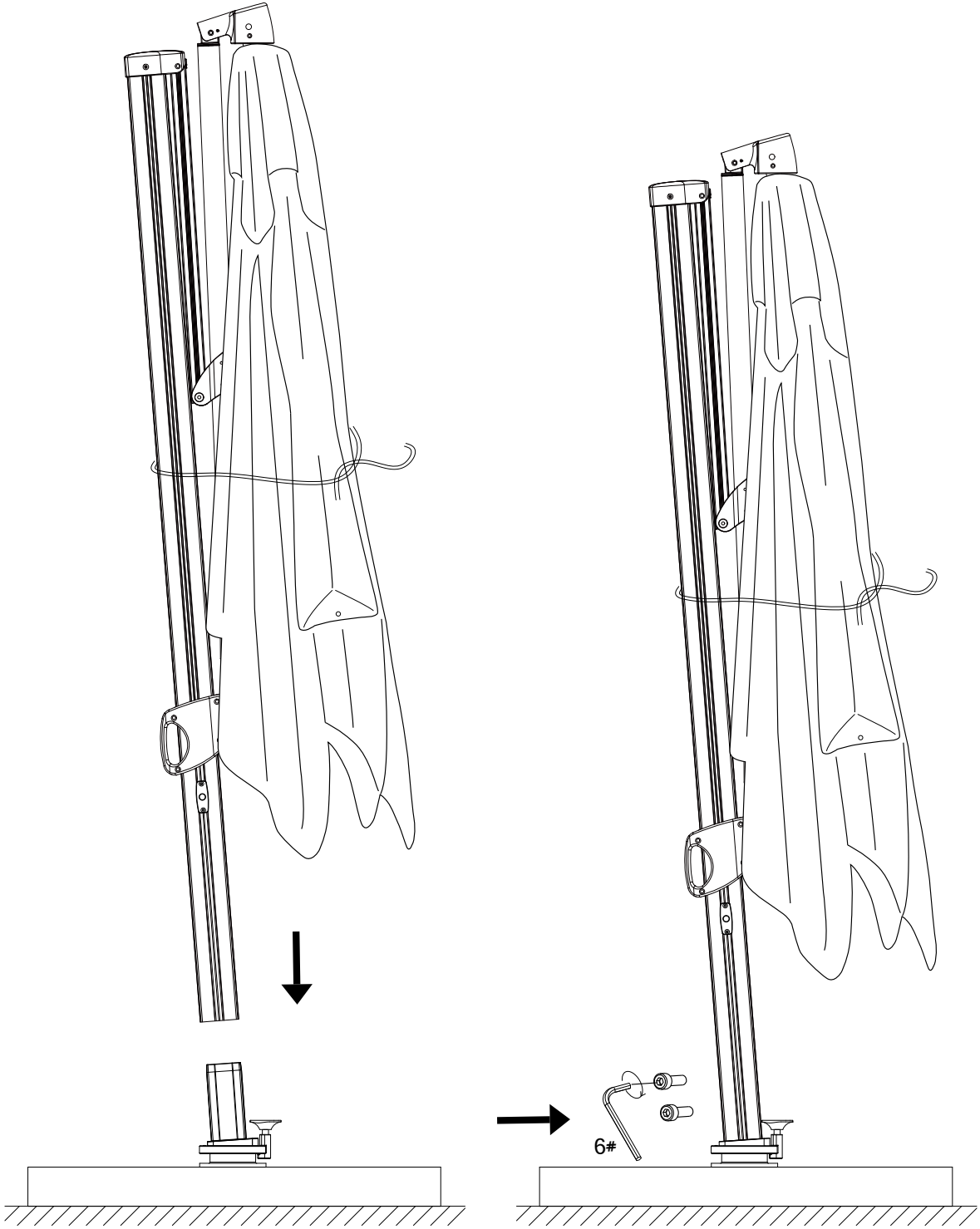
4



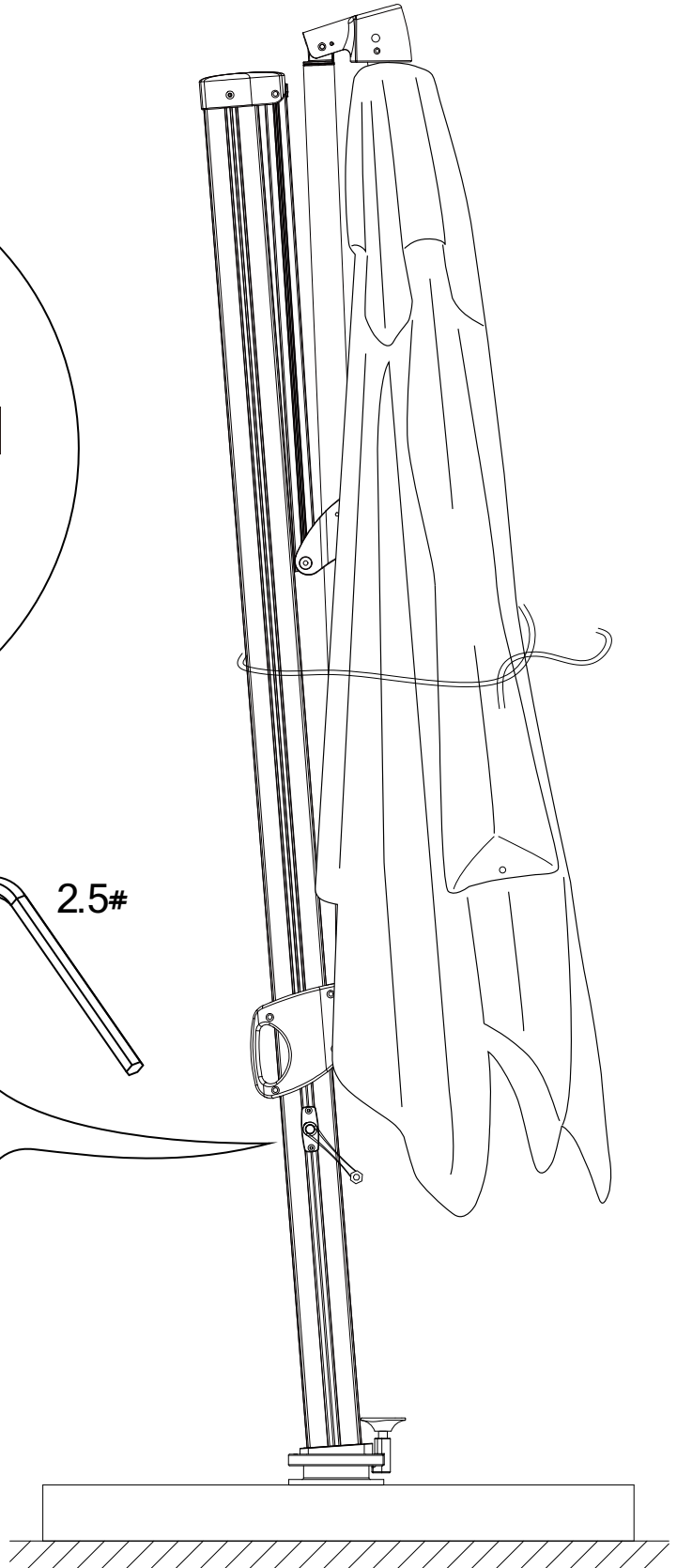
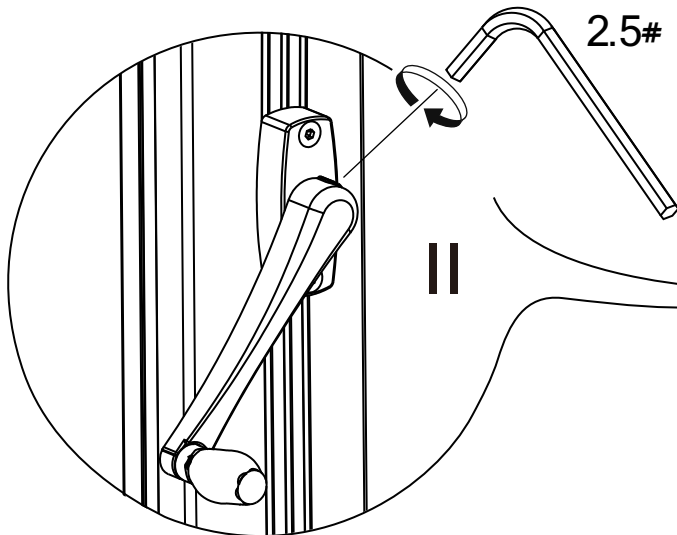
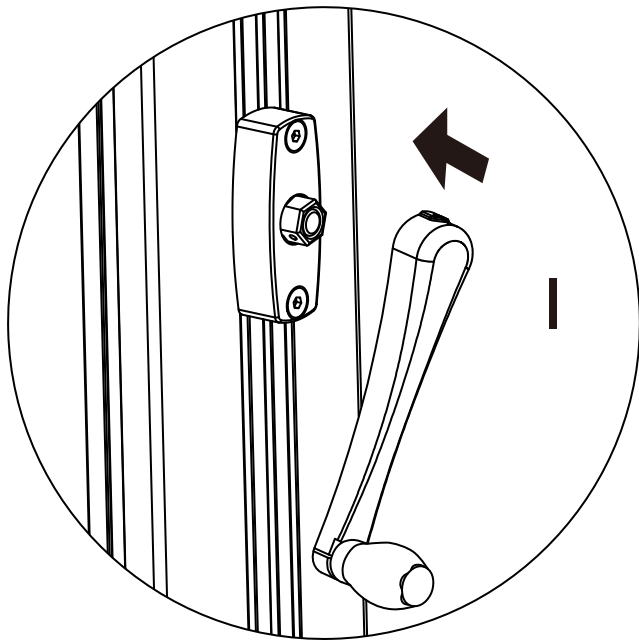
5



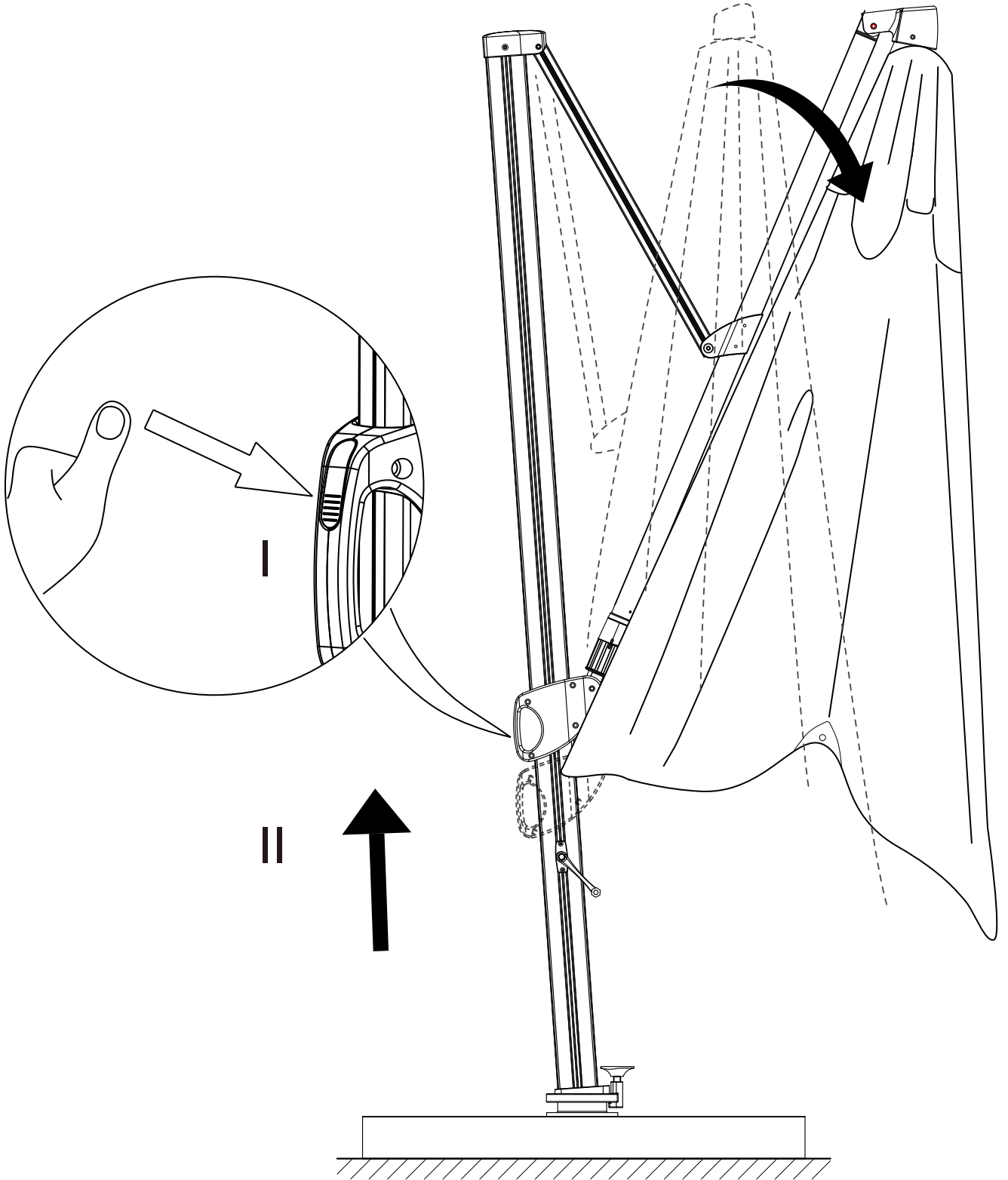
6



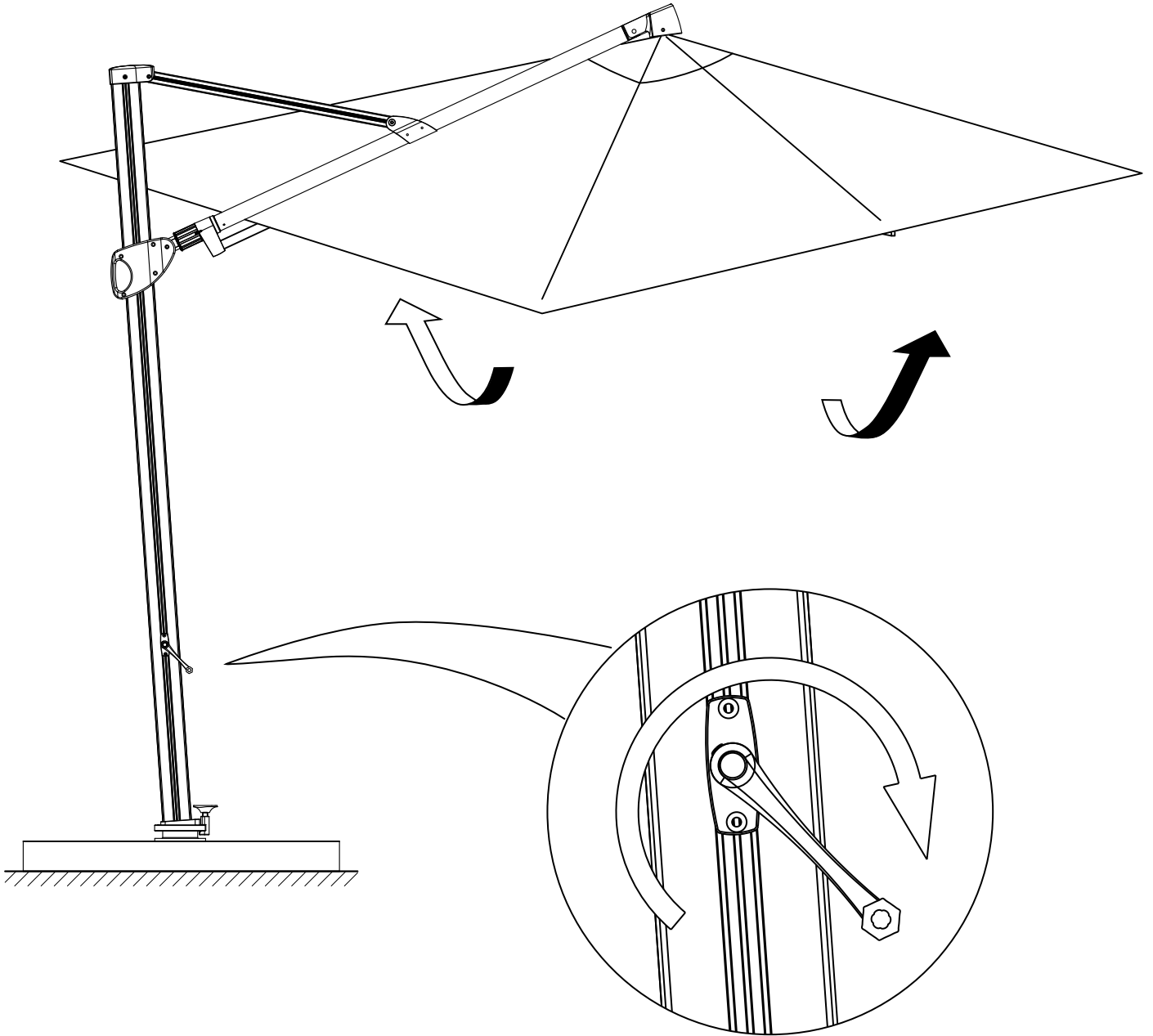
7



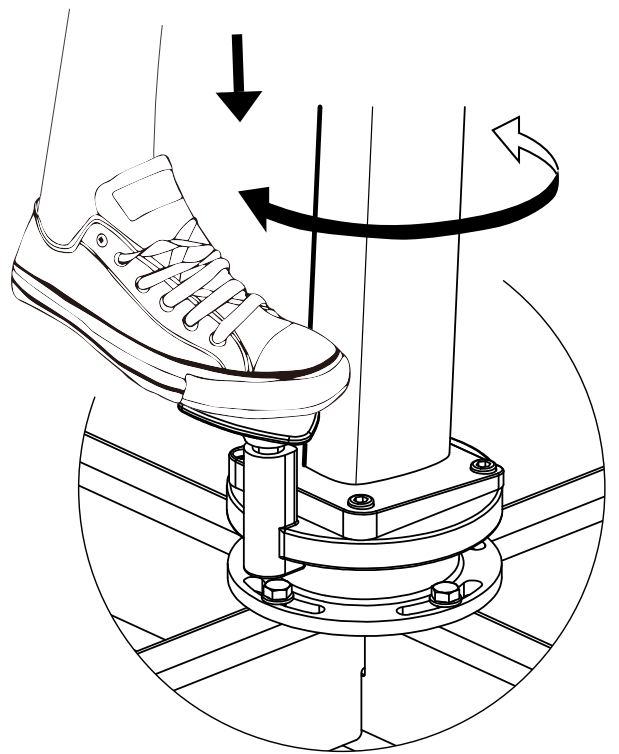
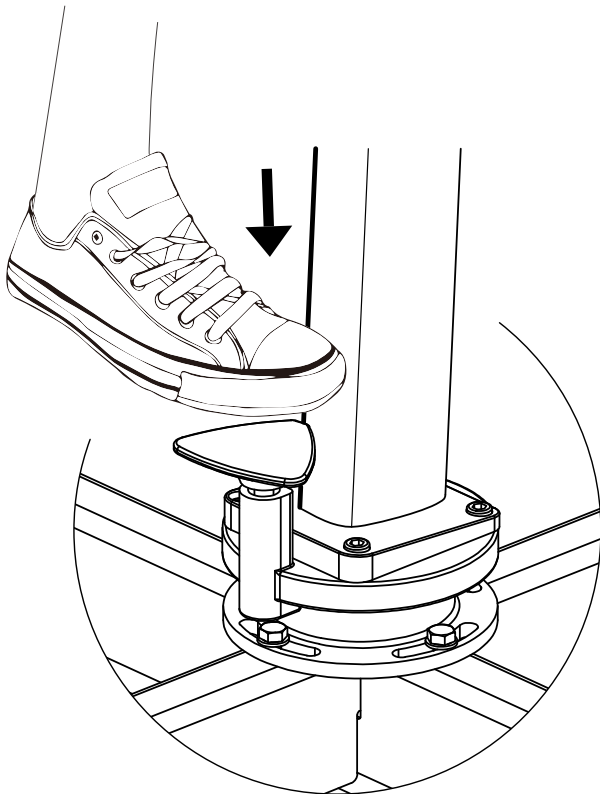
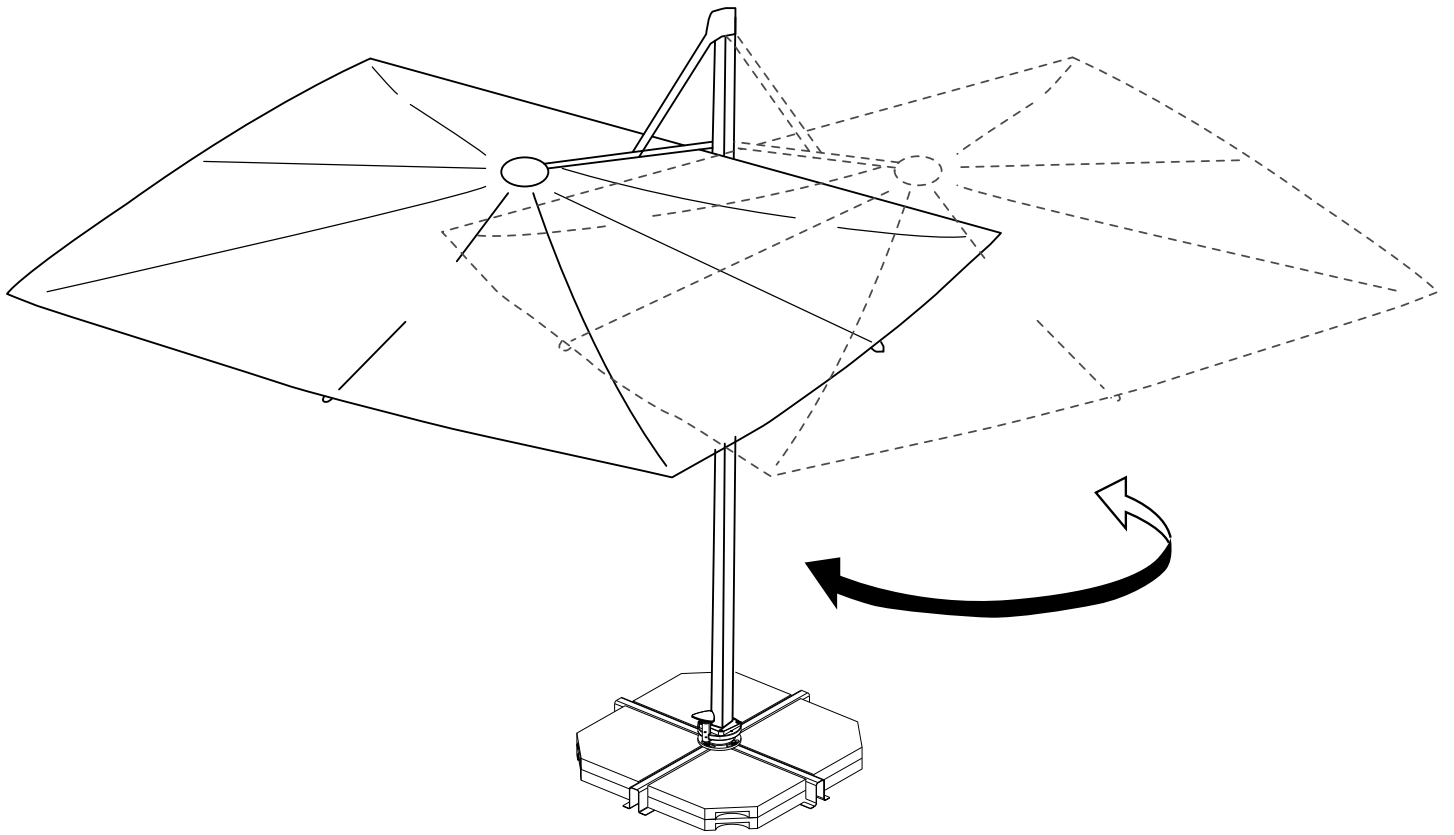
8



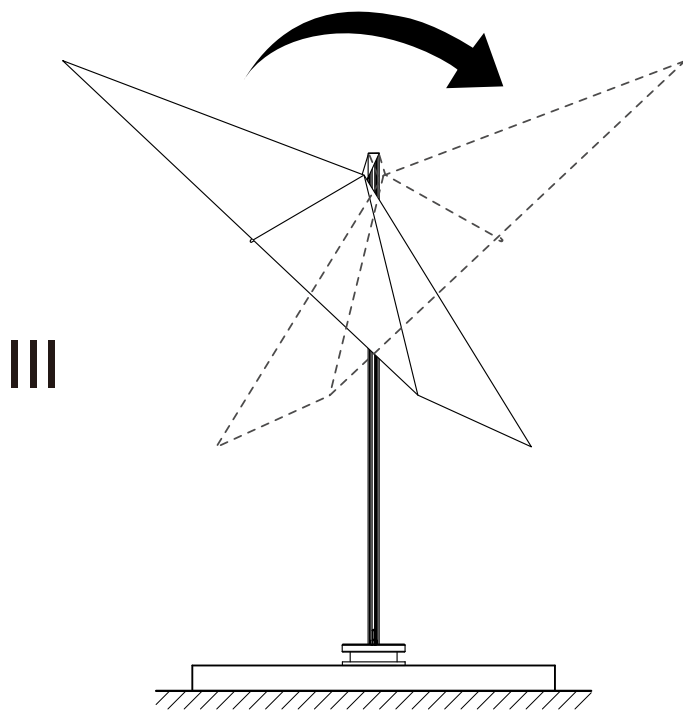
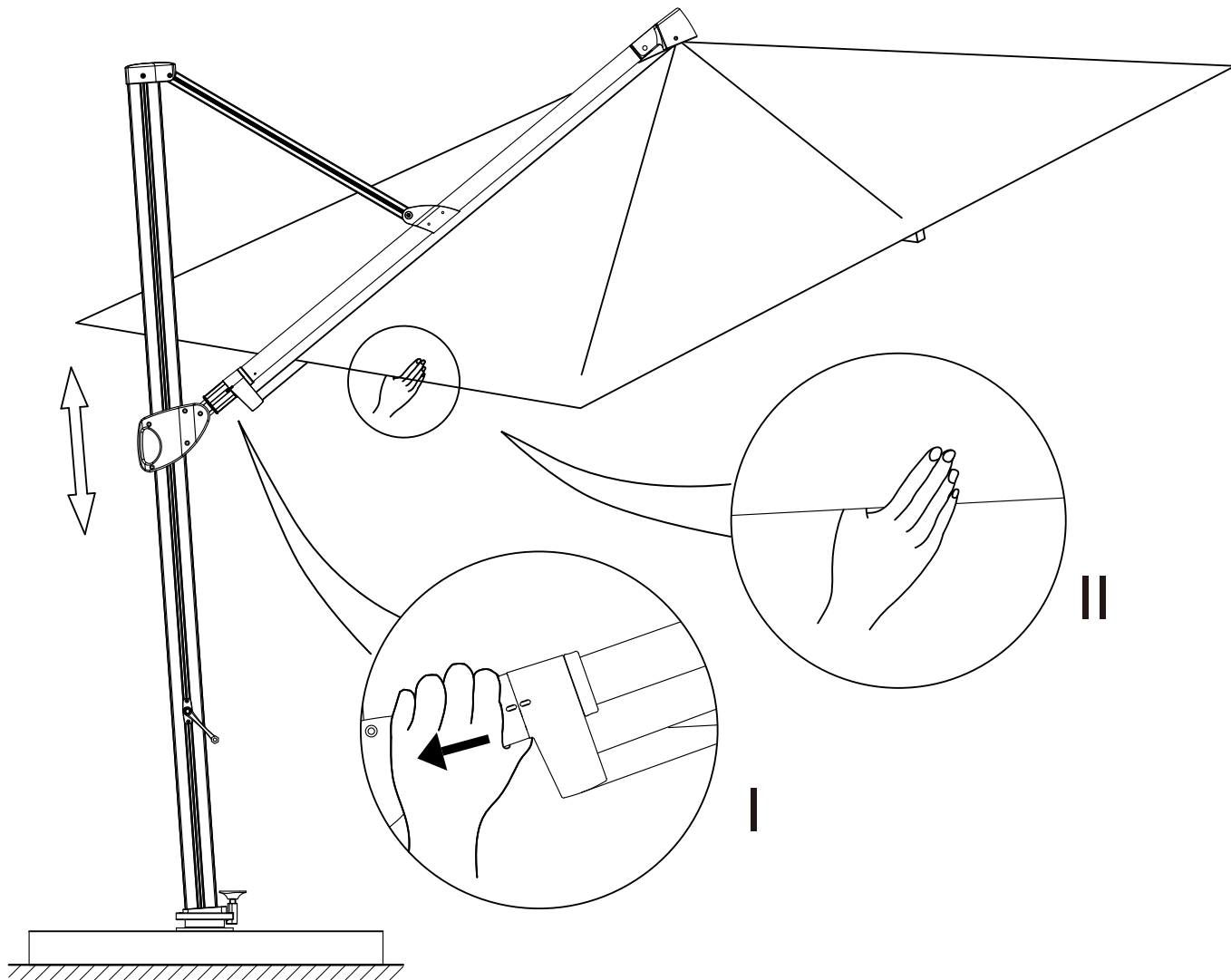
9



10



11



12

